

Useful for Pumping & Transfer
of all Viscous Liquids, Oils and
Petroleum Products

SG SERIES



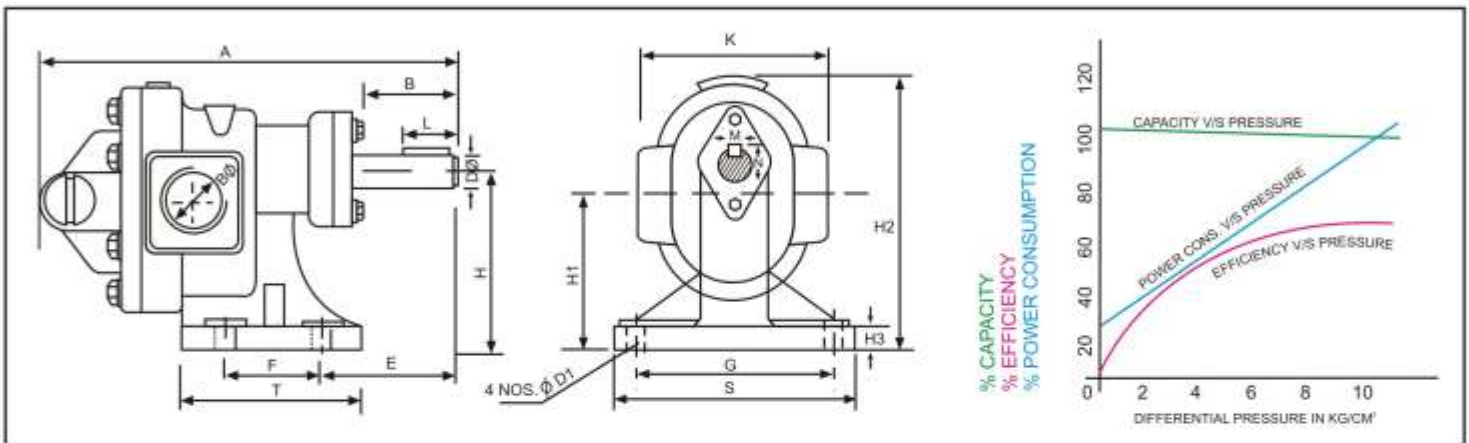
FEATURES

- Single Helical Gears
- Hardened & Ground Shafts.
- Max. Capacity-500 Lpm
- Max. Pressure-10 Kg/cm²
- Max. Temperature-80⁰c
- Modified Version For High Temp. Up To-200⁰c
- Modified Version For Molasses and Vacuum Application
- Higher Aesthetic Value



HORSE POWER AND CAPACITY CHART

PUMP MODEL	INLET OUTLET SIZE	CAPACITY			RECOMMENDED MOTOR HP AT DIFFERENTIAL PRESSURE OF 'X' Kg/Cm ² WITH 1500 SSU VISCOSITY & SPECIFIC GRAVITY @ 0.8g/CC										WT. OF BARE SHAFT PUMP IN KG.	
		LPM	US GPM	M3/hr	1	2	3	4	5	6	7	8	9	10		
SG-050	½" x ½"	20	5.30	1.20	0.50					0.75					2.80	
SG-075	¾" x ¾"	30	7.92	1.80	0.50			0.75			1.00				4.50	
SG-100	1" x 1"	50	13.20	3.00	0.50	0.75		1.00			1.50				6.20	
SG-125	1¼" x 1½"	75	19.80	4.50	1.00	1.50			2.00			3.00			8.50	
SG-150	1½" x 1½"	110	29.00	6.60	1.50	2.00			3.00			5.00				10.50
SG-200	2" x 2"	225	59.40	13.50	3.00			5.00			7.50				18.00	
SG-250	2½" x 2½"	350	92.50	21.00	5.00	7.50		10.00			12.50				27.30	
SG-300	3" x 3"	500	131.60	30.00	10.00	12.50		15.00			20.00				37.00	



DIMENSIONS

MODEL	A	B	E	F	G	S	T	H	H1	H2	H3	L	M	N	Dφ	D1φ	K	Bφ
SG-050	152	32	51.0	40	70	90	70	63	50.0	95	8	22.0	4	13.5	12	8	70	½" BSP
SG-075	182	37	63.5	45	85	110	80	80	66.0	118	8	25.0	5	16.0	14	10	80	¾" BSP
SG-100	204	46	64.5	50	93	127	95	93	76.0	138	10	27.5	5	19.0	17	10	90	1" BSP
SG-125	238	48	75.0	60	105	140	110	100	80.5	145	10	32.0	6	22.5	20	12	100	1¼" BSP
SG-150	256	60	80.0	70	115	150	130	110	88.0	155	12	35.0	6	24.5	22	12	108	1½" BSP
SG-200	324	78	92.0	100	140	180	160	132	105.0	192	15	40.0	8	28.0	25	15	142	2" BSP
SG-250	380	85	110.0	120	155	200	185	145	113.0	215	18	45.0	8	31.0	28	17	160	2½" BSP
SG-300	425	105	120.0	140	180	235	205	160	125.0	238	20	50.0	8	33.0	30	17	170	3" BSP

SR. NO	PART	MOC.	VISCOSITY	SPEED	CAPACITY
1	CASING	CI GR. 20	UP TO 500 CST	1500 RPM	100%
2	R.V. COVER	CI GR. 20	500 - 1500 CST	1000 RPM	66. %
3	GLAND COVER	CI GR. 20	1500 - 5000 CST	750 RPM	50%
4	SHAFTS	EN-9 H & G	5000 - 15000 CST	500 RPM	33%
5	GEARS	EN-8	15000 - 30000 CST	380 RPM	25%
6	GLAND SEAL	OIL SEAL	30000 - 50000 CST	300 RPM	20%
7	SHAFT BRG	SINTREAD BRONZE BUSH	50000 - 100000 CST	200 RPM	13%
8	R.V. PLUG	BRASS/M.S/ALLUMINUM	100000 - 200000 CST	150 RPM	10%



Note: Due to Design Improvements, Specification & Performance are Subject to Change Without Prior Notice.